



CL

Pneumatic
Torque Multiplier

globally successful

Applications

- **Continuous rotation**, tightening, or loosening for all heavy duty fastening connections.
- **Perfect for bolted applications** in hazardous, explosive environments.
- **alkitronic® CLS** quick, compact torque multiplier for torques of 55 to 2,555 ft.lbs (75 to 3,460 Nm).
- **alkitronic® CLD comfortable torque multiplier** with rotating handle for torques of 225 to 7,225 ft.lbs (305 to 9,795 Nm).
- **alkitronic® CLS2** high-performance 2-gear machine for torques of 90 to 35,855 ft.lbs (120 to 48,610 Nm).

Advantages

- **Permanently higher joint quality** (compared to impact and hydraulic wrenches) by continuous rotation of the square drive.
- **alkitronic® CLD** - the 360 degree rotating handle ensures comfortable operation. Barely any reaction forces are transferred to the user.
- **alkitronic® CLS2** with fast gear for turning in and simple, quick switching to power gear (is used for applying the final torque).

alkitronic® specials

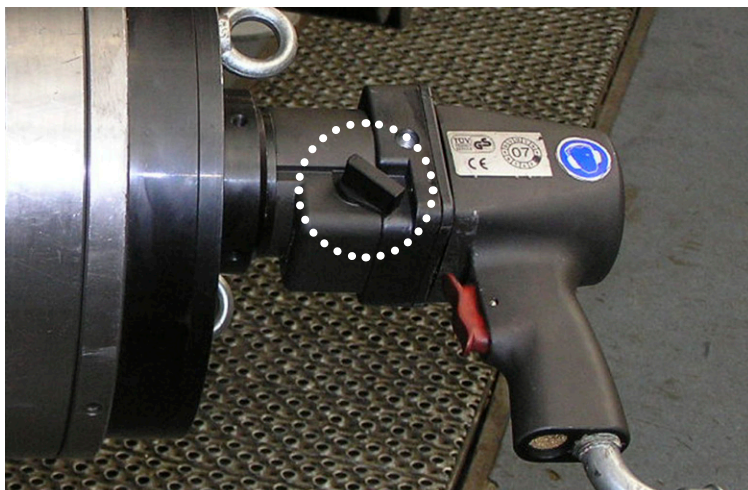
- **Simple 1-finger operation** for right/left rotation, option to enable the reaction to be locked in one position.
- **Robust cast aluminum housing** with proven pneumatic drive.
- **Proven high-performance gears**, produced in a chip-free, high-precision process produce high loads with low wear.
- **alkitronic® CLS2** with uniquely high torque - 35,855 ft.lbs. (48,610 Nm)
- **Optional silencer levels** to reduce the noise from the motor exhaust on request.

Specifications



On request, you will receive our pneumatic multipliers with **ATEX-Certification: II 2 G D c IIB T6**

Prerequisites for best work with the indicated torques are an operating pressure of 29-101 psi (2-7 bar) at a volumeflow of approx. 21.2-31.8 cfm (10-15 l/sec). The torque accuracy depends on the stability of the supply system.

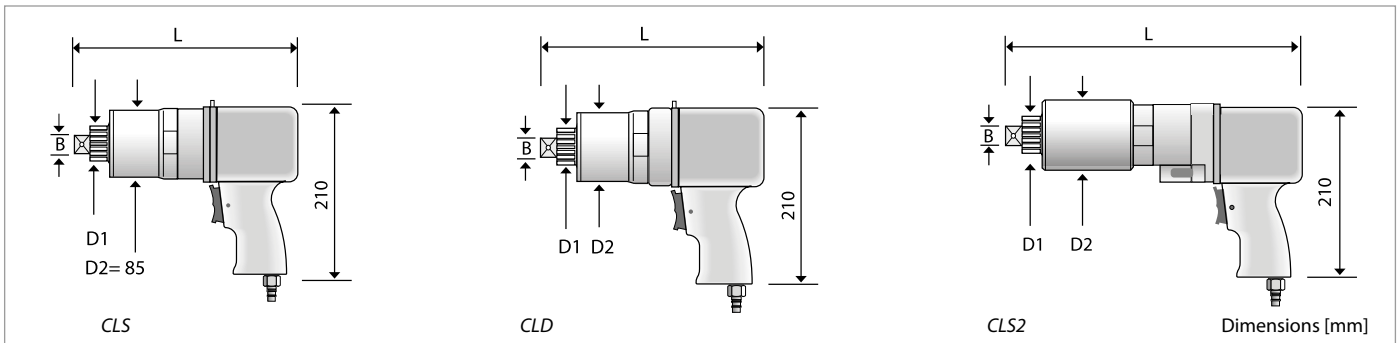


alkitronic® CLS2, 2-gear pneumatic torque multiplier. Mechanically switchable from fast gear to power gear.

alkitronic® CLD torque multipliers in use (figures on the right). Screw connections at a bolt circle and a diesel unit for large construction machines



Technical Data



Models CLS

Type		CLS 15	CLS 25	CLS 35	CLS 45	CLS 75	CLS 95	CLS 135	CLS 175	CLS 255	CLS 315
Torque range (approx.)*	Nm	75-225	95-280	135-390	165-485	305-895	365-1080	495-1450	645-1900	910-2670	1180-3460
	ft.lbs	55-165	70-205	100-290	120-360	225-660	270-795	365-1070	475-1400	670-1970	870-2555
Square drive	B	1/2" / 3/4"	1/2" / 3/4"	3/4"	3/4"	3/4"	3/4"	1"	1"	1"	1"
Diameter (approx.)	D ₁	mm	41	41	41	41	41	54	54	54	54
Length (approx.)	L	mm	255	255	255	255	277	277	300	300	330
Weight without DMA (approx.)	kg	6	6	6	6	7	7	8	8	8,5	8,5
Idle speed	rpm	60	38	34	27	19	13	9	7	6	4

Models CLD

Type		CLD 85	CLD 105	CLD 125	CLD 175	CLD 225	CLD 280	CLD 380	CLD 580	CLD 780	CLD 980
Torque range (approx.)*	Nm	305-895	365-1080	495-1450	645-1900	910-2670	1180-3460	1490-4380	2080-6115	2610-7675	3330-9795
	ft.lbs	225-660	270-795	365-1070	475-1400	670-1970	870-2555	1100-3230	1535-4510	1925-5665	2460-7225
Square drive	B	3/4"	3/4"	3/4"	1"	1"	1"	1 1/2"	1 1/2"	1 1/2"	1 1/2"
Diameter (approx.)	D ₁	mm	41	41	41	54	54	54	72	72	91
Diameter (approx.)	D ₂	mm	85	85	85	85	85	85	98	109	173
Length (approx.)	L	mm	275	275	275	300	300	300	320	350	370
Weight without DMA (approx.)	kg	7	7	7	7	8,5	8,5	10,5	13	15	25
Idle speed	rpm	19	13	9	7	5	4	3	2	1,5	1

Models CLS2

Type		CLS2/100	CLS2/150	CLS2/300	CLS2/400	CLS2/600	CLS2/800	CLS2/1000	CLS2/3400	CLS2/4800
Torque range 2nd gear (approx.)*	Nm	120-355	170-505	385-1130	540-1585	840-2470	1010-2965	1175-3455	3310-9720	4725-13890
	ft.lbs	90-260	125-375	285-835	400-1170	620-1820	745-2185	865-2550	2440-7170	3485-10245
Torque range 1st gear (approx.)*	Nm	380-1125	550-1615	1225-3595	1720-5055	2675-7865	3210-9435	3745-11010	11575-34025	16540-48610
	ft.lbs	280-830	405-1190	900-2650	1270-3730	1975-5800	2370-6960	2765-8120	8540-25100	12200-35855
Square drive	B	3/4"	1"	1"	1 1/2"	1 1/2"	1 1/2"	1 1/2"	2 1/2"	2 1/2"
Diameter (approx.)	D ₁	mm	41	54	54	72	72	72	91	
Diameter (approx.)	D ₂	mm	85	85	85	98	109	133	173	
Length (approx.)	L	mm	330	330	360	380	410	410	430	
Weight without DMA (approx.)	kg	7	7,5	9	11	12	16	24	58	58
Idle speed 2nd gear	rpm	36	21	15	9	6	5	4		
Idle speed 1st gear	rpm	12	7	5	3	2	1,5	1	further details upon request	

*) When loosening a bolted connection, up to 20% higher torque may be required (loosening torque). We will gladly advise you with details.

Product information

alkitronic® CLV models

Pneumatic torque multipliers with remote control for multiple bolted connections and serial assembly in semi-automatic operation. Torques up to 2,555 ft.lbs (3,460 Nm).

We will gladly provide you with comprehensive information on this.



The torque control of the pneumatic alkitronic® torque multiplier takes place via the air supply or pressure regulator of the Maintenance Unit.

Accessories

Maintenance Unit, complete with filter, regulator, oiler and 5 m/16.4 ft hose, incl. couplings.



YOUR PLUS FOR MORE PERFORMANCE

Increased quality

Premium production
Highest quality materials
Long product life cycles
Experience in bolting technology since 1984
Made in Germany – international patents

Increased precision

Precise, customer-specific torques
High repeatability
Reliability in permanent operation
Dokumentation of tightening results
Automatic shut-off

Increased productivity

Quicker tightening without reworking
No environmentally caused failures (IP54, ATEX)
High work safety
Easy to use: clear, simple instructions
Low maintenance and cost efficient

Better service

Technical advice on site
Training offers
Manufacturer's calibration and certification
Lifecycle support
Spare part and repair service

alki TECHNIK GmbH

Development, Production and Distribution of Bolting Systems

Unterlettenweg 4 – 85051 Ingolstadt/Germany – fon +49 841 97499-0 – fax +49 841 97499-90
info@alkitronic.com – www.alkitronic.com

EXTRACT FROM OUR PRODUCT RANGE



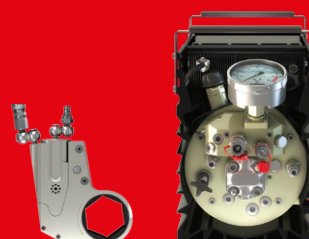
alkitronic XE-SERIES

THE ELECTRICS



alkitronic XP-SERIES

THE PNEUMATICS



alkitronic XH-SERIES

THE HYDRAULICS



alkitronic XM-SERIES

THE MANUALS